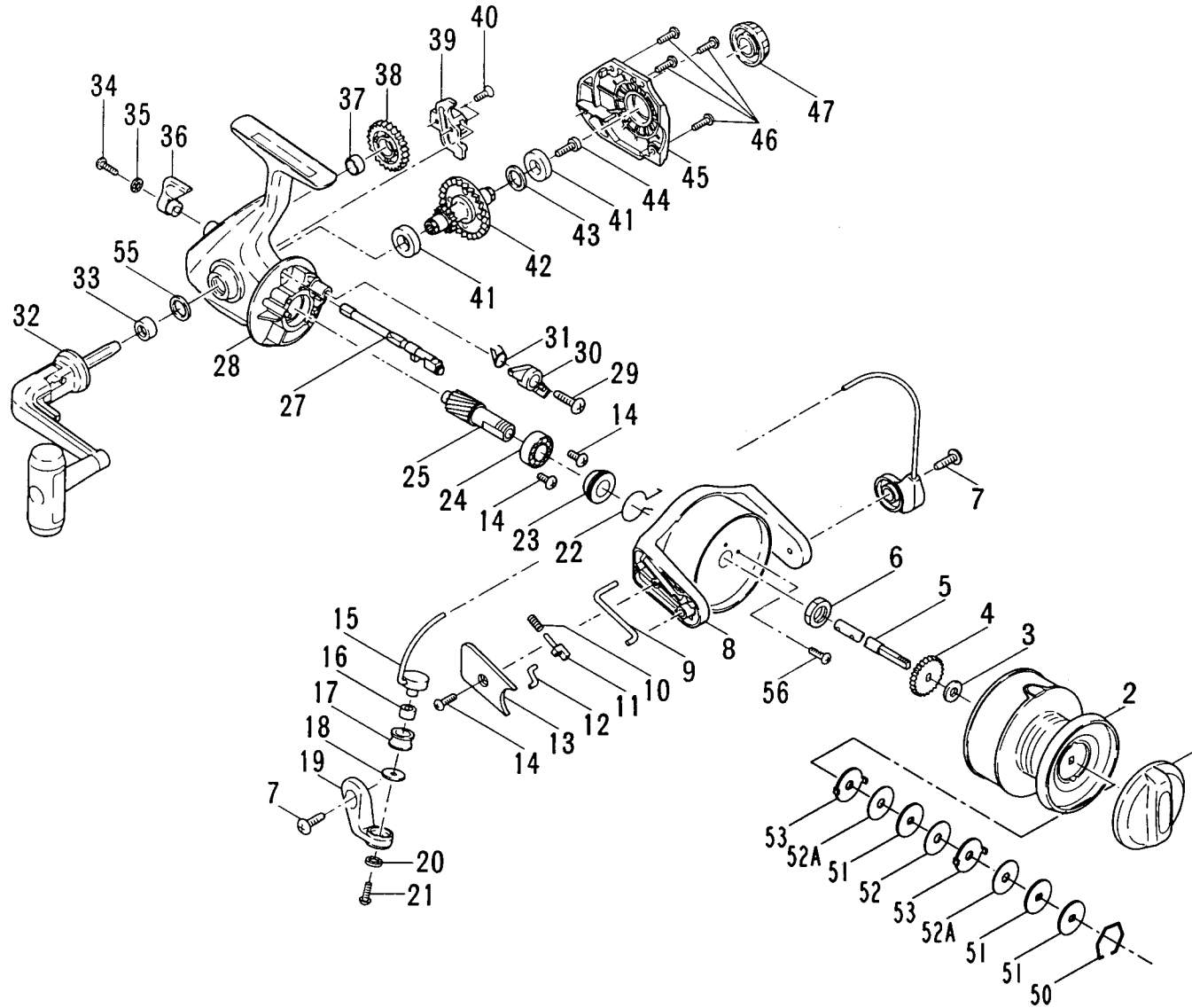




MODEL 7000

PARTS LIST FOR MODEL 7000



KEY NO.	PART NO.	DESCRIPTION
1	52-6000	Drag Knob Asm. with Spring
2	47-7000	Spool Assembly
3	60-6000	Thrust Washer
4	40B-7000	Click Ratchet
5	39-7000	Spool Shaft
6	38-6000	Rotor Nut
7	31A-3000	Arm Screw (2)
8	27-7000	Rotor Cup
9	28A-7000	Cam Lever
10	34C-6000	Pivot Spring
11	34B-6000	Pivot Shaft
12	34A-3000	Pivot Arm
13	27A-7000	Bail Pivot Cover
14	22-875	Screw (3)
15	24-6000	Bail Wire Assembly
16	34A-3000	Line Roller Bushing
17	35-6000	Line Roller
18	132-3000	Roller Washer
19	34-4000	Bail Arm
20	22A-875	Washer
21	36-4000	Bail Stud Screw
22	230-6000	Silent Dog Spring
23	19A-6000	Pinion Spacer
24	20-6000	Ball Bearing
25	19-6000	Pinion Gear
27	6A-6000	Eccentric Shaft
28	1-7000	Housing
29	3-6000	Dog Mounting Screw
30	4-6000	Anti-Reverse Dog
31	4A-6000	Dog Spring
32	15-6000	Handle Assembly
33	15A-6000	Handle Spacer
34	6F-3000	Eccentric Lever Mtg. Screw
35	6G-3000	Thrust Washer
36	6E-3000	Eccentric Lever
37	231A-3000	Crosswind Gear Bushing
38	231-6000	Crosswind Gear
39	43-6000	Crosswind Gear Block
40	44-1500	Screw (2)
41	2A-6000	Cover & Housing Bushing (2)
42	8-6000	Main Gear
43	8A-6000	Main Gear Shim
44	9A-3000	Standard Driver Screw
45	45-7000	Housing Cover
46	46-6000	Cover Screw (4)
47	233-3000	Bearing Cover
**48	48-4000	Spool Click Tongue
**49	22-1000	Click Tongue Screw
50	51-6000	Drag Retaining Ring
51	57-6000	Keyed Drag Washer (2)
52	6-6000	Teflon Drag Washer (1)
52A	6-7000	Drag Washer HT-100 (2)
53	58-6000	Ear Drag Washer (1)
**54	40C-4000	Click Washer
55	17-6000	Handle Washer
56	305-875	Rotor Nut Locking Screw

**Not Shown