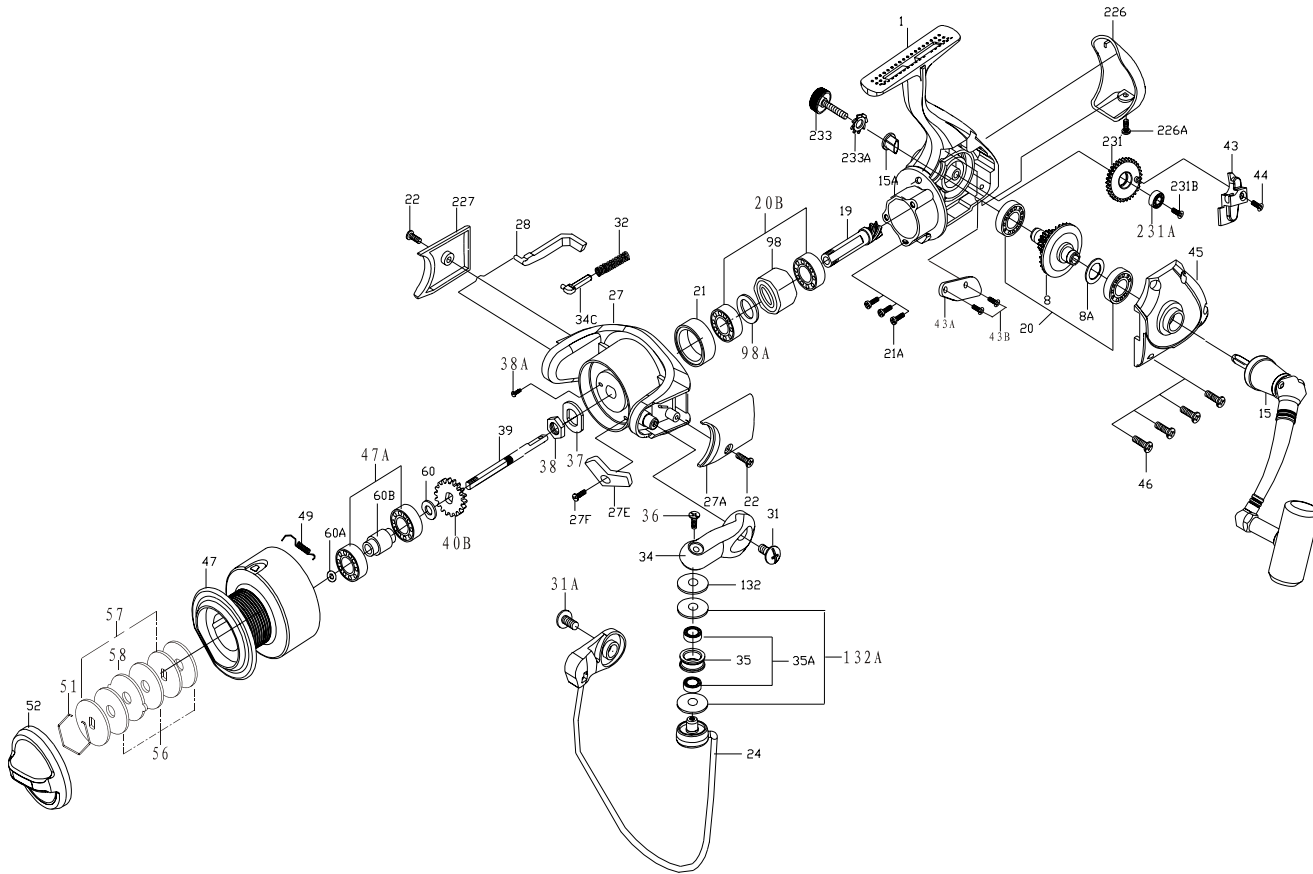




PARTS LIST FOR MODEL CV8000



KEY

NO.	Description	PART NO.
1	Housing	001-NT-8000CV
8	Main Gear Assembly	008 8000CV
8A	Main Gear Shim	008A8000CV
15	Handle Assembly	015N 8000CV
15A	Handle Retaining Bushing	015A8000CV
19	Pinion Gear	019 8000CV
20	Main Gear Ball Bearing (2 req.)	020 8000CV
20B	Pinion Ball Bearing (2 req.)	020 8000CV
21	Collar	021 8000CV
21A	Bearing Mounting Screw (3 req.)	021A8000CV
22	Cover Screw (2 req.)	022 500CV
24	Bail Wire	024 8000CV
27	Rotor Cup	027 8000CV
27A	Bail Pivot Cover	027A8000CV
27E	Balance Weight	027E8000CV
27F	Balance Weight Screw	027F2000CV
28	Trip Lever	028 8000CV
31	Bail Arm Screw (2 req.)	031 8000CV
31A	Bail Wire Screw	031A8000CV
32	Bail Spring	032 8000CV
34	Bail Arm	034 8000CV
34C	Pivot Arm	034C8000CV
35	Line Roller	035 8000CV
35A	Line Roller Ball Bearing (2 req.)	231A2000CV
36	Bail Stud Screw	036 2000CV
37	Rotor Washer	037 8000CV
38	Rotor Nut	038 8000CV
38A	Rotor Nut Screw	038A2000CV
39	Spool Shaft	039 8000CV
40B	Click Ratchet	040B8000CV
43	Crosswind Block	043 8000CV
43A	Crosswind Block Plate	043A8000CV
43B	Crosswind Block Plate Screw	022 500CV
44	Crosswind Block Screw	044 8000CV
45	Housing Cover	045-NT- 8000CV
46	Housing Cover Screw (4 req.)	046 8000CV
47	Spool Assembly	047 8000CV
47A	Spool Ball Bearing (2 req.)	020 500CV
49	Spool Click Spring	049 8000CV
51	Retaining Ring	051 8000CV
52	Drag Knob	052 8000CV
56	Friction Drag Washer (3 req.)	056 8000CV
57	Keyed Washer (2 req.)	057 8000CV
58	Drag Washer Earred	058 8000CV
60	Thrust Washer	060 8000CV
60A	"O" Ring	060A8000CV
60B	Spool Shaft Bushing	060B8000CV
98	Clutch Retainer	098 8000CV
98A	Clutch Shim	098A8000CV
132	Roller Washer	132 8000CV
132A	Roller Washer (Plastic) (2req.)	132A8000CV
226	Rear Cap	226 8000CV
226A	Rear Cap Screw	226A8000CV
227	Cam Cover	227 8000CV
231	Crosswind Gear	231 8000CV
231A	Crosswind Gear Ball Bearing	020 500CV
231B	Ball Bearing Screw	231B5000CV
233	Bearing Cover	233N 8000CV
233A	Bearing Cover Washer	233A 8000CV