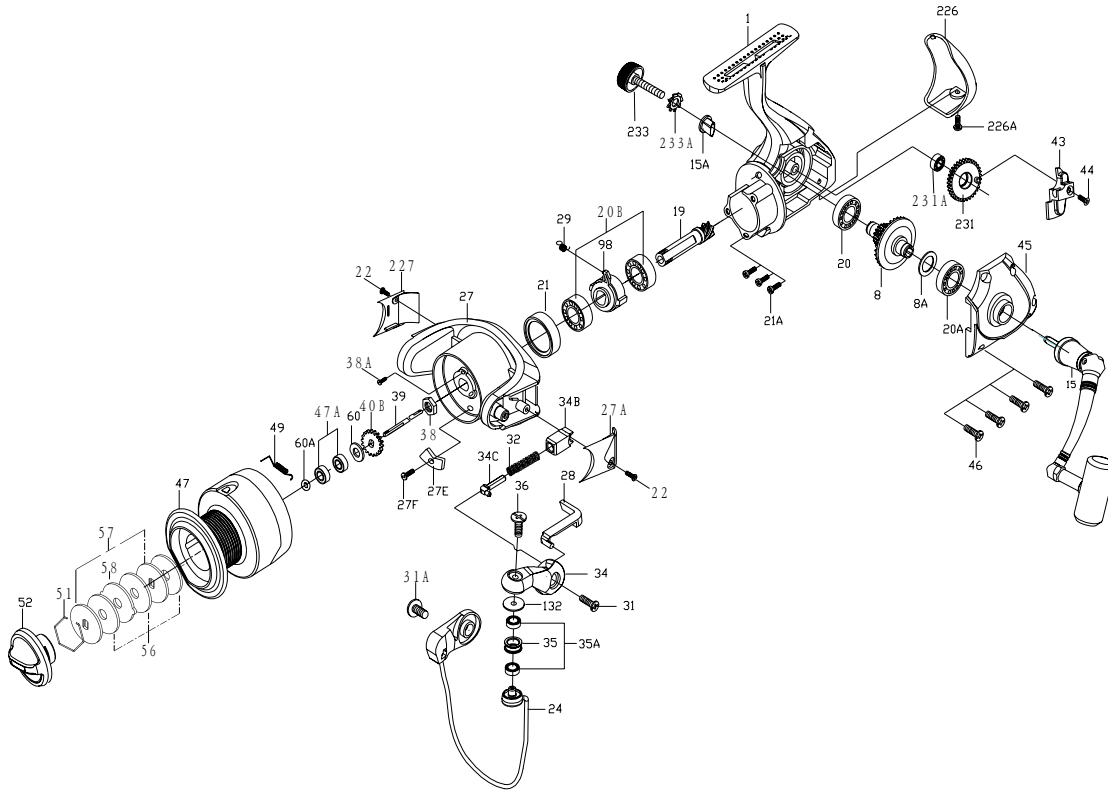




## PARTS LIST FOR MODEL CV4000



### KEY

NO.	Description
1	Housing
8	Main Gear Assembly
8A	Main Gear Shim
15	Handle Assembly
15A	Handle Retaining Bushing
19	Pinion Gear
20	Housing Ball Bearing
20A	Housing Cover Ball Bearing
20B	Pinion Ball Bearing (2 req.)
21	Collar
21A	Bearing Mounting Screw (3 req.)
22	Cover Screw (2 req.)
24	Bail Wire
27	Rotor Cup
27A	Bail Pivot Cover
27E	Balance Weight
27F	Balance Weight Screw
28	Trip Lever
29	Spring
31	Bail Arm Screw (2 req.)
31A	Bail Wire Screw
32	Bail Spring
34	Bail Arm
34B	Pivot Guide
34C	Pivot Arm
35	Line Roller
35A	Line Roller Ball Bearing (2 req.)
36	Bail Stud Screw
38	Rotor Nut
38A	Rotor Nut Screw
39	Spool Shaft
40B	Click Ratchet
43	Crosswind Block
44	Crosswind Block Screw
45	Housing Cover
46	Housing Cover Screw (4 req.)
47	Spool Assembly
47A	Spool Ball Bearing (2 req.)
49	Spool Click Spring
51	Retaining Ring
52	Drag Knob
56	Friction Drag Washer (3 req.)
57	Keyed Washer (2 req.)
58	Drag Washer Earred
60	Thrust Washer
60A	"O" Ring
98	Clutch Retainer
132	Roller Washer
226	Rear Cap
226A	Rear Cap Screw
227	Cam Cover
231	Crosswind Gear
231A	Crosswind Gear Ball Bearing
233	Bearing Cover
233A	Bearing Cover Washer

### PART

NO.	Description
001-NT-4000CV	
008 4000CV	
008A500CV	
015N 4000CV	
015A500CV	
019 4000CV	
020 500CV	
020A500CV	
020A500CV	
021 4000CV	
021A2000CV	
022 500CV	
024 4000CV	
027 4000CV	
027A4000CV	
027E4000CV	
027F2000CV	
028 4000CV	
029 2000CV	
031 2000CV	
031A2000CV	
032 4000CV	
034 4000CV	
034B4000CV	
034C4000CV	
035 2000CV	
035A2000CV	
036 2000CV	
038 2000CV	
038A2000CV	
039 4000CV	
040B2000CV	
043 4000CV	
044 2000CV	
045-NT-4000CV	
046 500CV	
047 4000CV	
047A2000CV	
049 2000CV	
051 2000CV	
052 4000CV	
056 2000CV	
057 2000CV	
058 2000CV	
060 2000CV	
060A2000CV	
098 2000CV	
132 2000CV	
226 4000CV	
226A2000CV	
227 4000CV	
231 4000CV	
020 500CV	
233N2000CV	
233A2000CV	