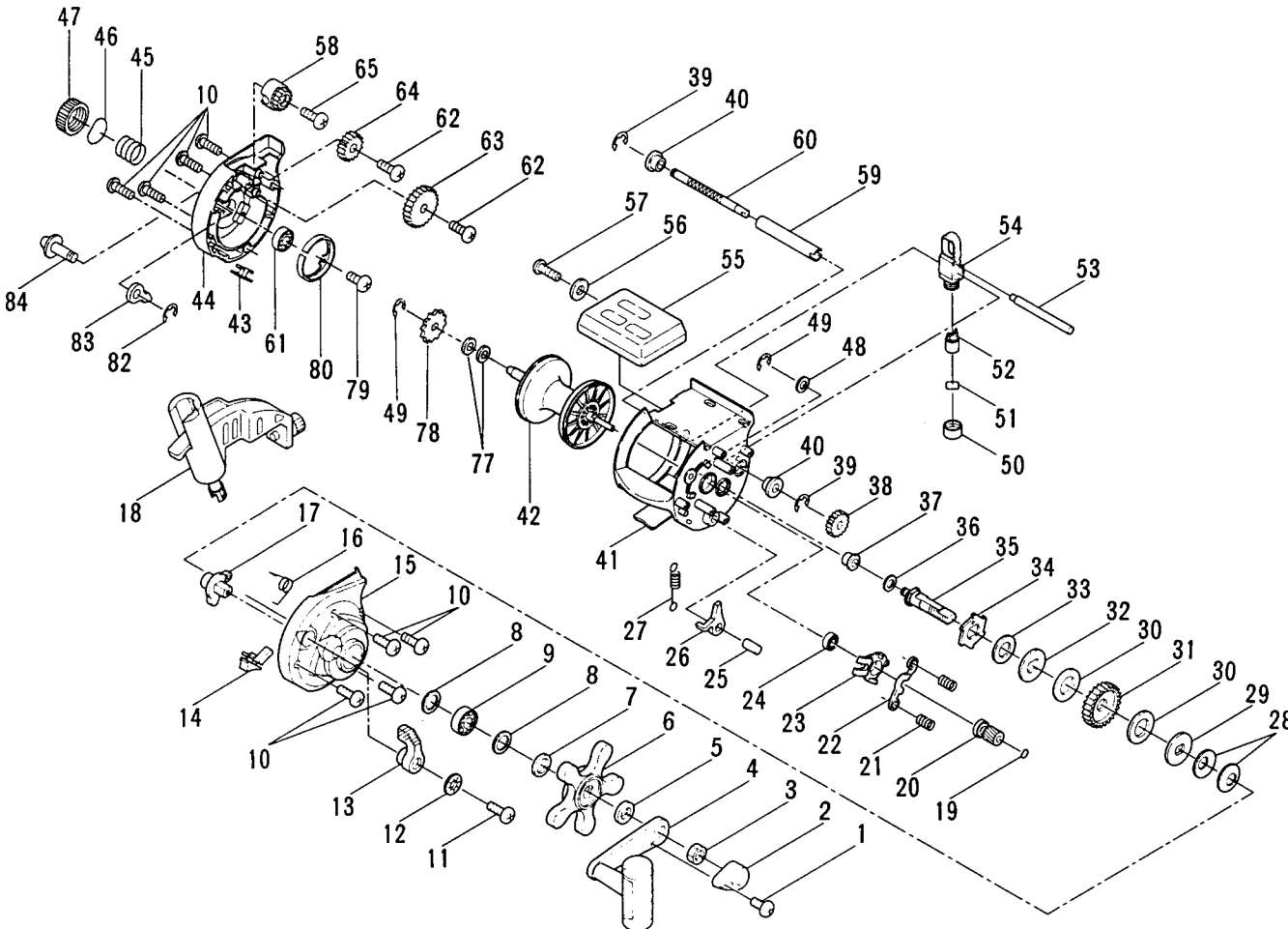




# MODEL 855LC

# PARTS LIST FOR MODEL 855LC



KEY NO.	PART NO.	DESCRIPTION
1	32-875	Handle Lock Screw
2	110A-875	Handle Nut Cap
3	23-875	Handle Nut
4	24-855	Handle Assembly
5	8-875	Thrust Washer
6	10-875	Drag Star Assembly
7	9-875	Drag Star Spacer
8	20A-855	Bearing Spacer (2)
9	20-722	R.S. Plate Bearing
10	39-875	Mounting Screw (8)
11	22-875	Eccentric Screw
12	22A-875	Eccentric Washer
13	21-855	Eccentric Lever
14	21A-855	Direct Drive Lever
15	1-855	R.S. Plate
16	20-855	Eccentric Spring
17	19-875	Eccentric
18	302-875	Bogey Wheel Assembly
19	40-855	Thrust Washer
20	13-855	Pinion Gear Assembly
21	18-875	Clutch Spring (2)
22	12-855	Pinion Yoke
23	11-855	Eccentric Jack
24	55-855	Spool Bearing
25	158-875	Ratchet Dog Pin
26	15-855	Ratchet Dog
27	14-855	Dog Spring
28	8A-875	Disc Spring (2)
29	86-855	Metal Drag Washer
30	6-855	Drag Washer HT-100 (2)
31	5-855	Main Gear
32	86A-855	Metal Drag Washer
33	4-855	Fiber Washer
34	98R-855	Ratchet Assembly
35	98S-855	Gear Stud
36	98A-875	Gear Stud Washer
37	98B-855	Gear Stud Bearing
38	45-855	Worm Gear
39	42A-855	Retaining Ring (2)
40	43-855	Worm Bearing (2)
41	183-855	Frame Assembly
42	29-855	Spool Assembly
43	96-875	Line Storage Clip
44	27-855	L.S. Plate
45	41-875	L.S. Bearing Spring
46	41C-875	Thrust Washer
47	40A-875	L.S. Bearing Cap
48	98C-875	Gear Stud Washer
49	98D-875	Retaining Ring (2)
50	48-875	Pawl Cover Screw
51	48A-855	Thrust Washer
52	47-855	Pawl
53	58-855	Line Guide Post
54	46-855	Line Guide
*55	303-855	Control Box Asm. (Feet)
*55	303-855M	Control Box Asm. (Metric)
56	304-875	Flat Washer
57	305-875	Control Box Screw
58	306-855	Control Box Gear
59	50-855	Worm Shaft Shield
60	42-855	Worm Shaft
61	40-320	Spool Bearing
62	63B-875	Gear Mounting Screw (2)
63	64A-855	Idler Gear A
64	64B-855	Idler Gear B
65	63-855	Gear Mounting Screw
77	81A-855	Spacing Washer (2)
78	81-855	Click Ratchet
79	63A-875	Mounting Screw
80	62-875	Click Spring
82	42B-875	Retaining Ring
83	35-875	Click Tongue
84	36-855	Click Button

\*Order Control Box in "Feet" or "Metric" according to model.