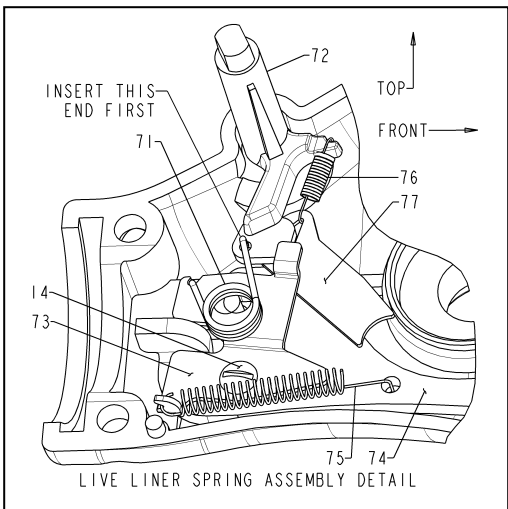
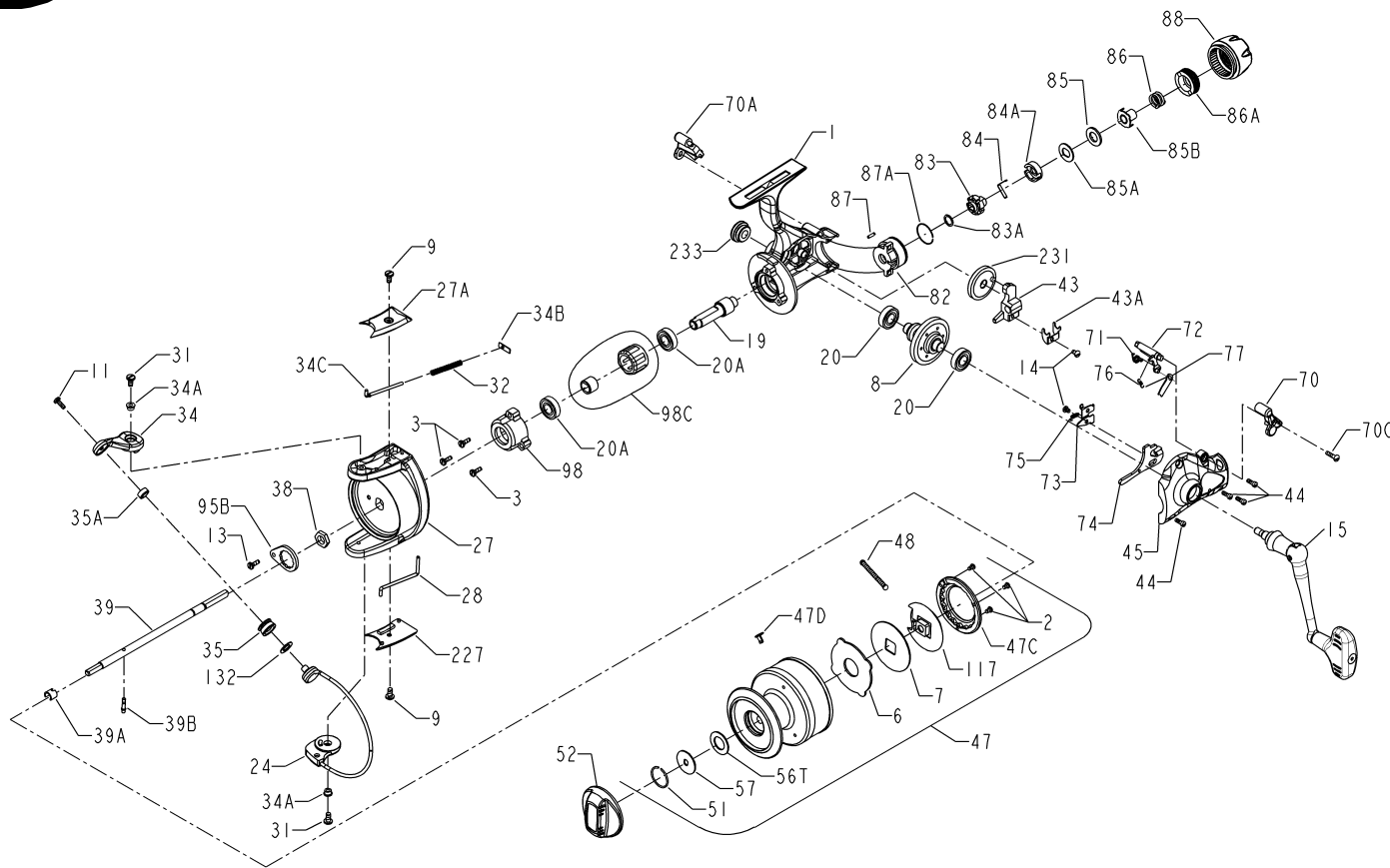


PENN PARTS LIST FOR MODEL 760L



KEY NO.	DESCRIPTION	PART NO.
24	Bail Wire Assembly	024 760
27	Rotor Cup	027 760
27A	Bail Pivot Cover	027A760
28	Trip Lever	028 760
28D	Friction Ring	028D760
31	Bail Arm Screw	031 750M
31A	Bail Cam Screw	031A550G
32	Bail Spring	032 750M
34	Bail Arm	034 760
34A	Rotor Bushing (2 req.)	034A750
34B	Pivot Plate	034B5600
34C	Pivot Arm	034C760
35	Line Roller	035 950M
35A	Ball Bearing (2 req)	035A950M
38	Rotor Nut	038 9500
39	Spool Shaft	039 760L
39A	Locating Pin Clip	039A760
39B	Locating Pin	039B760
43	Crosswind Block	043 760L
43A	Spool Shaft Clip	043A760L
44	Screw (4 req.)	046 750
45	Housing Cover Assembly W/ Emblem	045 760L
47	Spool Assembly	047 760
47C	Drag Cover	047C760
47D	Line Clip	047D5600
48	Click Tongue	048 5600
51	Retaining Ring	051 760
52	Drag Knob Assembly	052 760
56T	Drag Washer	006 309
57	Drag Washer (Keyed)	057 760
70	Live Liner Eccentric Lever (Left)	070 5600
70A	Live Liner Eccentric Lever (Right)	070A5600
70C	Screw	070C5600
71	Live Liner Eccentric Spring	071 5600
72	Live Liner Eccentric	072 5600
73	Live Liner Plate	073 760L
74	Live Liner Dog	074 760L
75	Live Liner Dog Spring	075 5600
76	Trip Spring	076 760L
77	Trip Lever	077 5600
82	Rear Housing	082 5600
83	Rear Drag Ratchet	083 5600
83A	Rear Drag Ratchet Washer	083A5600
84	Rear Drag Click Spring	084 5600
84A	Rear Drag Click Retainer	084A5600
85	Rear Drag Washer	085 760L
85A	Rear Keyed Washer	085A5600
85B	Rear Eared Washer	085B5600
86	Rear Drag Spring	086 760L
86A	Rear Drag Nut	086A5600
87	Rear Click Pin	087 5600
87A	Rear Click Pin Ring	087A5600
88	Rear Drag Knob	088 5600
95B	Rotor Locking Plate	095B950M
98	Bearing Retainer	021 760
98C	Clutch / Sleeve Assembly	098C760
117	Drive Plate	117 760
132	Line Roller Washer	132 950M
227	Bail Trip Cover	227 760
231	Crosswind Gear	231 760
233	Bearing Cover	233 550G
1	Housing Assembly W/ Emblem	001 760L
2	Screw (3 req.)	044 5600
3	Screw (3 req.)	046A704
6	Main Drag Washer HT-100	006 950M
7	Main Keyed Drag Washer	007 760
8	Main Gear Assembly	008 760
9	Screw (2 req.)	023 750
11	Screw	036 750
13	Screw	063A2.5FR
14	Screw (2 req.)	044 4400
15	Handle Assembly	015N750M
19	Pinion	019 760
20	Ball Bearing (2 req.)	020 6500
20A	Ball Bearing (2 req.)	020 760