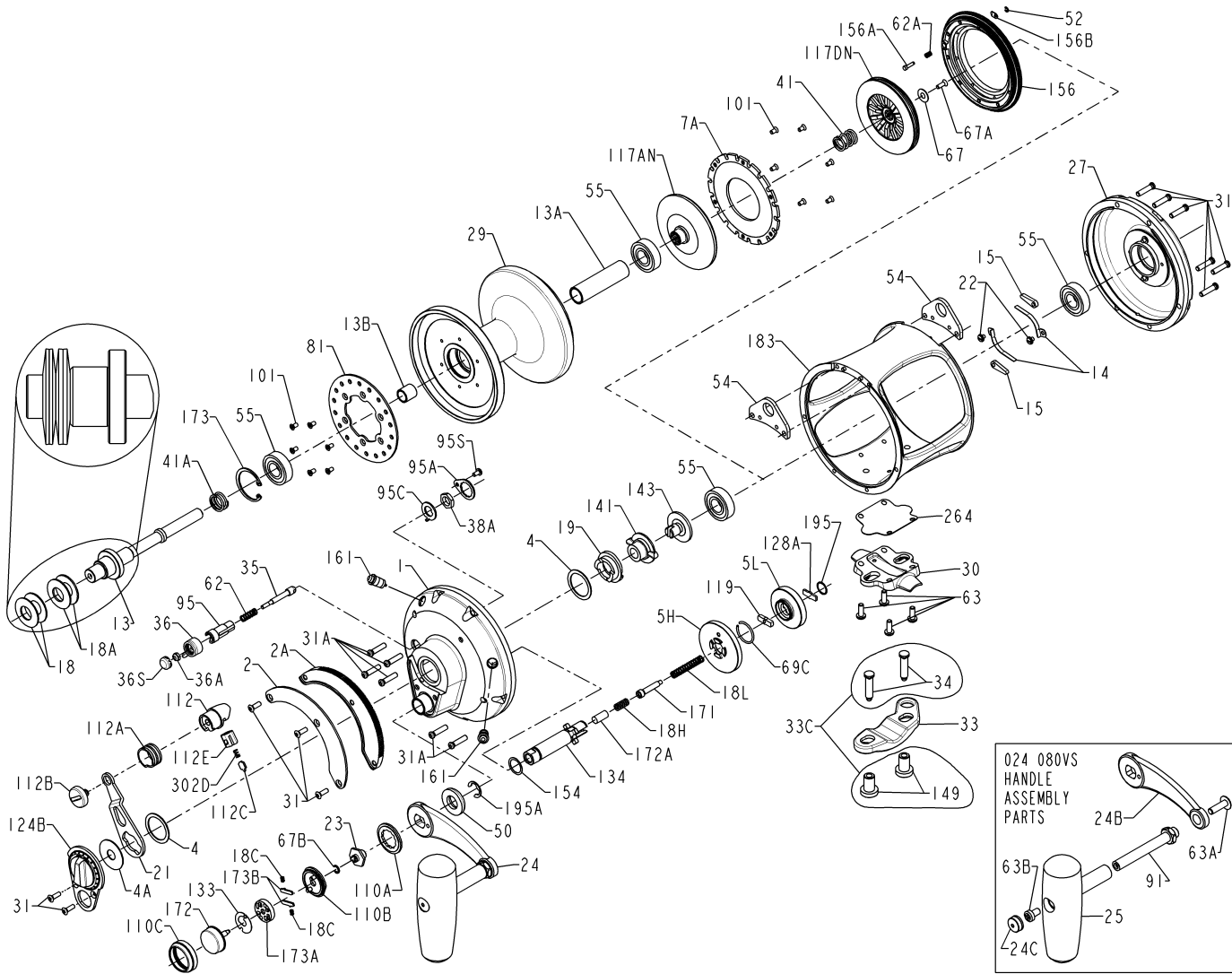




PARTS LIST FOR MODEL 70VS



KEY NO.	DESCRIPTION
1	Right Side Plate Assembly
2	Quadrant Ring
2A	Quadrant Spacer / Ratchet
4	Cam Thrust Washer (2 req.)
4A	Thrust Washer
5H	Main Gear (High Speed)
5L	Main Gear (Low Speed)
7A	Metal Drag Washer
13	Pinion Gear Assembly
13A	Spool Sleeve
13B	Pinion Gear Sleeve
14	Dog Spring (2 req.)
15	Dog (2 req.)

PART NO.	DESCRIPTION
001 070VS	
002 070	
002A070VS	
004 070	
004A070	
005 070VSHS	
005 070VSL	
007A050VS	
013 070	
013B070VS	
013B070	
014 050	
015 050	

KEY NO.	DESCRIPTION
18	Disc Clutch Spring (2 req.)
18A	Disc Clutch Spring (2 req.)
18C	Shift Button Spring (2 req.)
18H	Shift Spring (Heavy)
18L	Shift Spring (Light)
19	Eccentric Cam
21	Eccentric Lever
22	Dog Spring Screw (2 req.)
23	Pinion Gear Assembly
24	Handle Assembly
24B	Handle Blank
24C	Handle Knob Cap
25	Handle Knob Assembly
27	Left Side Plate Assembly

PART NO.	DESCRIPTION
018 080	
018 080W	
018C015KG	
018H030VS	
018L030VS	
019 070	
021 070	
022 109	
023 030VS	
024 080VS	
024 080VS-1	
024C080ST	
025 080ST	
027 070VS	

KEY NO.	DESCRIPTION	PART NO.
29	Spool Assembly	029L070VS
30	Stand	030 050VS
31	Oval Head Screw (5 req.)	031T070
31A	Side Plate Screw (12 req.)	031 080VS
33	Rod Clamp	033 070
33C	Rod Clamp Screw w/Nut Kit	033C070VS
34	Clamp Screw (2 req.)	034 070VS
35	Click Tongue	035 070VS
36	Click Button	036N050
36A	Click Button Nut	036 700
36S	Click Button Cap	036S080ST
38A	Click Bushing Nut	038 710
41	Bearing Spring	041 050
41A	Drag Spring	041 070
50	Gear Stud Shield	050 050VS
52	Retaining "E" Ring	052 910
54	Harness Lug (2 req.)	054A080S
55	Ball Bearing (4 req.)	055 080
62	Click Spring	062 050
62A	Drag Cover Locking Spring	062 545
63	Stand Screw (4 req.)	063 030T
63A	Handle Shaft Screw	063A050
63B	Handle Knob Screw	063 080VS
67	Pinion Gear Washer	067 070
67A	Retaining Screw	067A070
67B	Retaining "C" Ring	067 030VS
69C	Shift Retaining Ring	069C245
81	Click Ratchet	081 070
91	Handle Knob Shaft	091 080VS
95	Click Tongue Bushing	095 070
95A	Click Retaining Plate	095B070
95C	Click Bushing Washer	095A050
95S	Click Retaining Plate Screw	046A704
101	Drag & Ratchet Screw (12 req.)	101 030
110A	Handle Screw Locking Ring	110A030VS
110B	Shifter Base Plate Sub-Assembly	110B030VS
110C	Shift Button Retaining Ring	110C030VS
112	Eccentric Knob	112B030VS
112A	Eccentric Knob Sleeve	112A030VS
112B	Eccentric Knob Screw	112B070
112C	Eccentric Click Plate	112C030VS
112E	Eccentric Click Plate Housing	112E030VS
117AN	Inner Drive Plate w/ Drag Washer	117AN070
117DN	Outer Drive Plate w/ Drag Washer	117DN070VS
119	Shift Plate	119 024KG
124B	Bridge Cover Assembly	124L070
128A	Shift Drive Plate	128A024KG
133	Shifter Retaining Plate	133 030VS
134	Gear Stud	134 070VS
141	Cam Follower	141 070
143	Preset Screw	143 070
149	Rod Clamp Nut (2 req.)	149 070
154	Gear Stud Shim	154 080
156	Sealed Drag Cover Assembly	156N050VS
156A	Drag Cover Lock Pin	156A030VS
156B	Drag Cover Lock Plate	156B030VS
161	Locating Pin Assembly (2 req.)	161C030VSW
171	Shift Plunger	171 015KG
172	Shift Button Assembly	172 030VS
172A	Gear Stud Spring Spacer	172A070VS
173	Retaining "C" Ring	173 080VS
173A	Shifter Catch Holder	173A030VS
173B	Shifter Catch Plate (2 req.)	173 030VS
183	Tube Frame	183 070VS
195	Spiral Retaining Ring	195 024KG
195A	Retaining "E" Ring	195 040
264	Stand Gasket	264 30VS
302D	Eccentric Click Plate Spring	302D525MAG