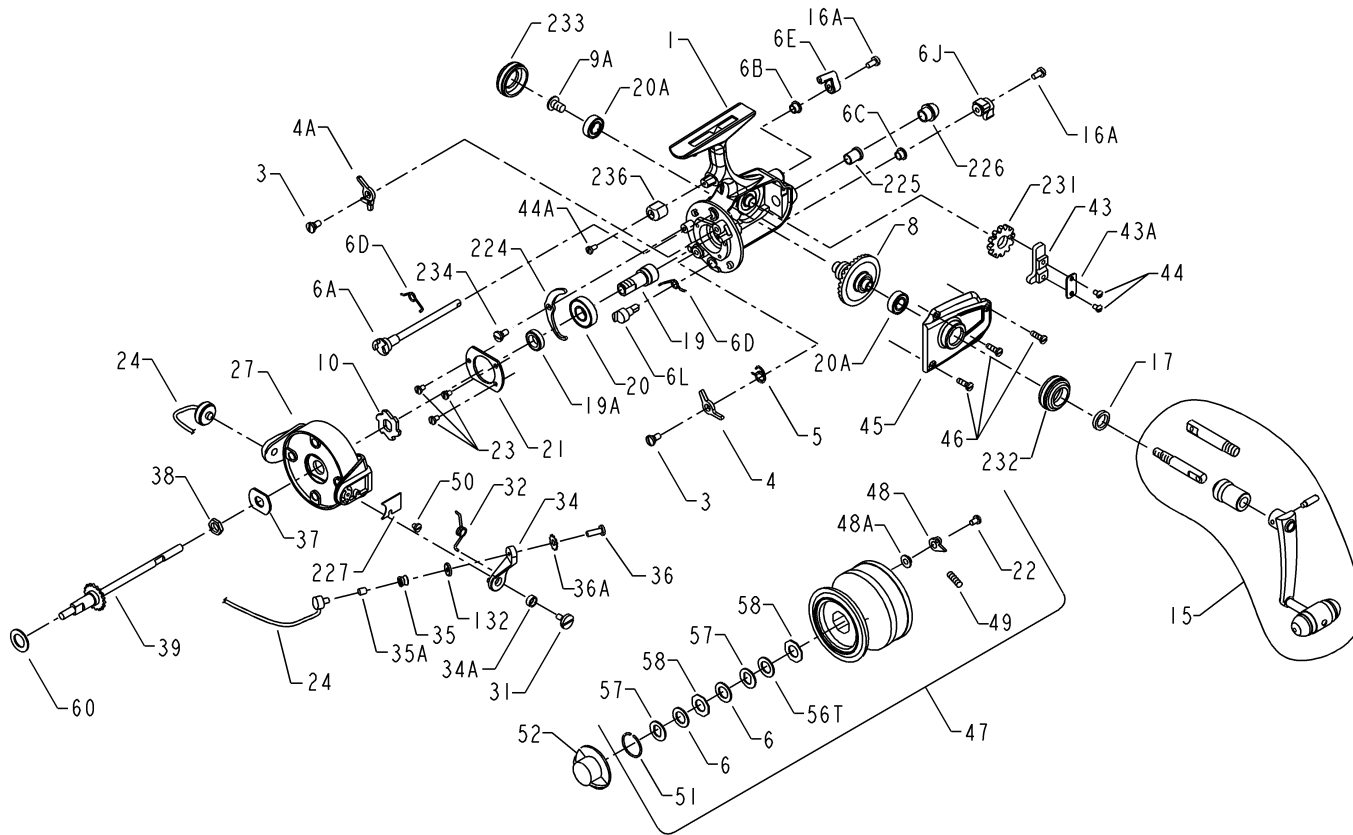


**PENN** PARTS LIST FOR MODEL 650SS



**NOT ALL PARTS ARE AVAILABLE.**

| <u>KEY NO.</u> | <u>DESCRIPTION</u>     | <u>PART NO.</u> |
|----------------|------------------------|-----------------|
| 1              | Housing                | 001 650         |
| 3              | Dog Screw              | 003 750         |
| 4              | Dog                    | 004 650         |
| 4A             | Silent Dog             | 004A650         |
| 5              | Click Dog Spring       | 005 704         |
| 6              | Drag Washer-HT-100     | 006 155         |
| 6A             | Upper Eccentric        | 006A550         |
| 6B             | Upper Eccentric Liner  | 006B750         |
| 6C             | Silent Eccentric Screw | 006B700Z        |
| 6D             | Eccentric Spring       | 006D710         |
| 6E             | Anti-Reverse Lever     | 006E750         |
| 6J             | Silent Dog Lever       | 006J750         |
| 6L             | Silent Eccentric       | 006L650         |

| <u>KEY NO.</u> | <u>DESCRIPTION</u>             | <u>PART NO.</u> |
|----------------|--------------------------------|-----------------|
| 7*             | Pinion Bushing*                | 007 750*        |
| 8              | Main Gear                      | 008 650         |
| 9A             | Standard Drive Screw           | 009A650         |
| 10             | Ratchet                        | 010 650         |
| 15             | Handle Assembly                | 015 650N        |
| 16A            | Eccentric Screw (2 req.)       | 016 910         |
| 17             | Seal Washer                    | 017 650         |
| 19             | Pinion                         | 019 650         |
| 19A            | Pinion Spacer                  | 019A650         |
| 20             | Bearing                        | 020 704         |
| 20A            | Bearing                        | 020 722         |
| 21             | Bearing Cover                  | 021 750         |
| 22             | Spool Click Screw              | 022 750         |
| 23             | Bearing Cover Screw (3 req.)   | 023 750         |
| 24             | Bail Wire                      | 024 650         |
| 27             | Rotor                          | 027 650         |
| 31             | Bail Arm Screw                 | 031 750         |
| 32             | Bail Arm Spring                | 032 750         |
| 34             | Bail Arm                       | 034 750         |
| 34A            | Bail Arm Bushing               | 034A750         |
| 35             | Line Roller                    | 035 750         |
| 35A            | Roller Sleeve                  | 035A704         |
| 36             | Bail Stud Screw                | 036 750         |
| 36A            | Lock Washer                    | 036A750         |
| 37             | Rotor Washer                   | 037 650         |
| 38             | Rotor Nut                      | 038 710         |
| 39             | Crosswind Shaft                | 039 650         |
| 43             | Crosswing Block                | 043 750         |
| 43A            | Crosswind Block Plate          | 043A750         |
| 44             | Crosswind Block Screw (2 req.) | 044 750         |
| 44A            | Trip Bumper Screw              | 044 750         |
| 45             | Housing Cover                  | 045 650         |
| 46             | Housing Cover Screw (3 req.)   | 046 750         |
| 47             | Spool Complete                 | 047 6500        |
| 48             | Click Tongue                   | 048 750         |
| 48A            | Click Tongue Washer            | 048A750         |
| 49             | Click Tongue Spring            | 049 710         |
| 50             | Bail Spring Cover Screw        | 050 712         |
| 51             | Retaining Ring                 | 051 650         |
| 52             | Drag Knob                      | 052 650         |
| 56T            | Drag Washer (Teflon®)          | 056T650         |
| 57             | Drag Washer (Keyed) Small Dia. | 057 650         |
| 58             | Metal Washer (Octagon)         | 058 650         |
| 60             | Thrust Washer                  | 060 750         |
| 132            | Roller Washer                  | 132 750         |
| 224            | Transfer Lever                 | 224 650         |
| 225            | Crosswind Shaft Bushing        | 225 750         |
| 226            | Bushing Cap Cvoer              | 226 750         |
| 227            | Bail Spring Cover              | 227 750         |
| 231            | Crosswind Gear                 | 231 650         |
| 232            | Bearing Cover (Open)           | 232 650         |
| 233            | Bearing Cover (Closed)         | 233 650         |
| 234            | Transfer Lever Screw           | 234 750         |
| 236            | Trip Bumper                    | 236 750         |

\*Not Shown