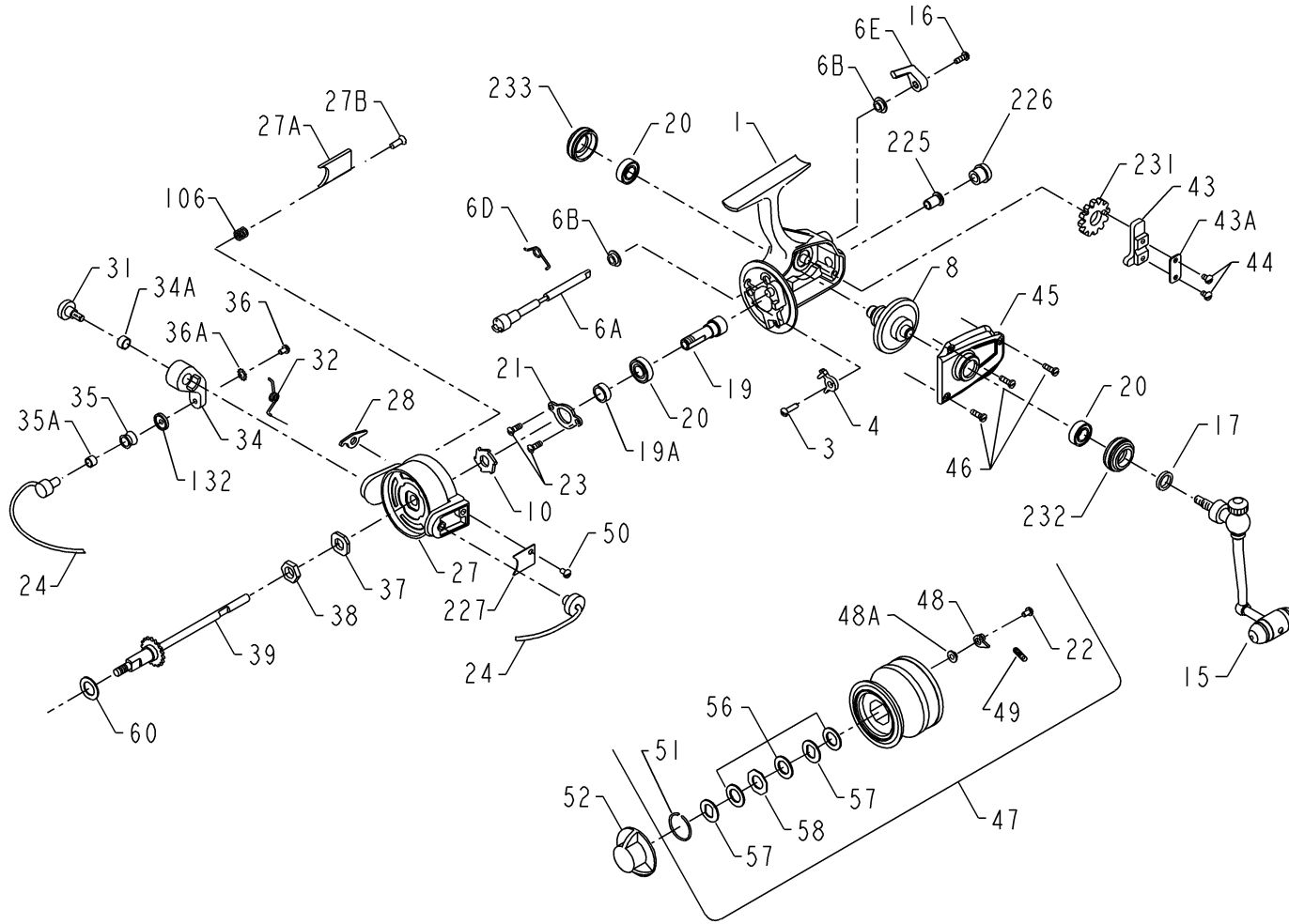


PENN PARTS LIST FOR MODEL 550SS



NOT ALL PARTS ARE AVAILABLE.

<u>KEY NO.</u>	<u>DESCRIPTION</u>	<u>PART NO.</u>
1	Housing	001 550
3	Dog	003 750
4	Dog	004 550
6A	Eccentric	006A550
6B	Eccentric fLiner	006B750
6D	Eccentric Spring	006D710
6E	Eccentric Lever	006E750
8	Main Gear	008 450
10	Ratchet	010 550
15	Handle (Complete)	015N550
16	Eccentric Screw	016 910
17	Seal Washerr	017 450
19	Pinion	019 550
19A	Pinion Spacer	019A550
20	Ball Bearing	020 722
21	Bearing Cover	021 550
22	Spool Click Screw	022 750
23	Bearing Cover Screw (2 req.)	023 750
24	Bail Wire	024 550
27	Rotor	027 550
27A	Bail Trip Cover	027A550
27B	Rotor End Screw	027B550
28	Trip Lever	028 550
31	Bail Arm Screw	031 550
32	Bail Spring	032 550
34	Bail Arm	034 550
34A	Bail Arm Bushing	034A550
35	Line Roller	035 750
35A	Line Roller Bushing	035A704
36	Bail Stud Screw	036 750
36A	Lock Washer	036A750
37	Rotor Washer	037 450
38	Rotor Nut	038 550
39	Crosswind Shaft	039 550
43	Crosswing Block	043 550
43A	Crosswind Block Plate	043A550
44	Crosswind Block Screw	022 750
45	Housing Cover	045 550
46	Cover Screw (3 req.)	046 750
47	Spool Complete	047 5500
48	Click Tongue	048 750
48A	Click Tongue Washer	048A750
49	Click Tongue Spring	049 710
50	Bail Spring Cover Screw	050 712
51	Retaining Ring	051 710
52	Drag Knob	052 550
56	Drag Washer	056 710
57	Metal Slot Washer	057 720
58	Metal Washer (Octagon)	058 710
60	Thrust Washer (Teflon [®])	060 550
106	Lever spring	106 060
132	Roller Washer	132 750
225	Crosswind Shaft Bushing	225 550
226	Bushing Cap Cvoer	226 550
227	Bail Spring Cover	227 550
231	Crosswind Gear	231 550
232	Bearing Cover (Open)	232 650
233	Bearing Cover (Closed)	233 650