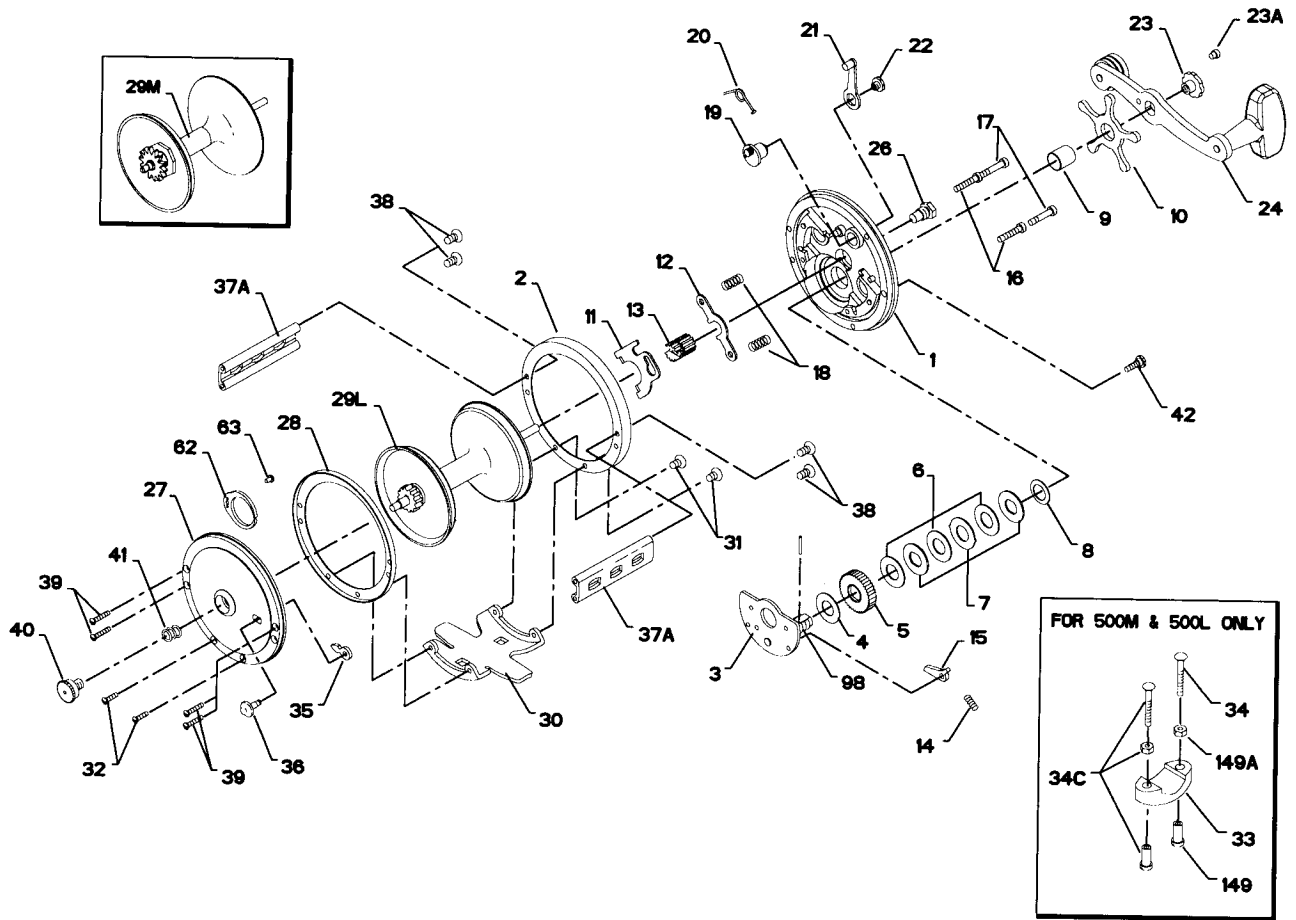




# PARTS LIST FOR MODELS 500 AND 501 JIGMASTER



**KEY NO.**

**DESCRIPTION**

**PART NO.**

**KEY NO.**

**DESCRIPTION**

**PART NO.**

1	Right Side Plate	1N-500	26	Right Side Bearing	26-155
	Right Side Plate	1N-501	27	Left Side Plate	
2	Right Side Ring (Inner)	2-250	28	Left Side Ring (Inner)	28-250
3	Bridge w/Sleeve	3-500	29L	Spool	29L-500
4	Fiber Washer	4-60		Spool	29L-501
5	Main Gear	5-500	29M	Spool	29M-250
6	Drag Washer (3 req.)	6-309	30	Stand (500)	30-200
7	Metal Washer Set	7C-500		Stand (501)	30-49
8	Tension Spring	8-60	31	R.S. Stand Screw	31-19
9	Spacing Sleeve	9-60	32	L.S. Stand Screw	39-16
10	Star Drag Wheel	10-505	33	Rod Clamp (500)	33-113
11	Eccentric Jack	11-99	34	Ringed Rod Clamp (500) (Optional)	*33R-200
12	Pinion Yoke	12-500	34C	Clamp Screw (500)	34-45
13	Pinion	13-500	35	Rod Clamp Screw w/Nuts (500)	34C-45
14	Dog Spring	14-500	36	Click Tongue	35-60
15	Dog	15-500	37A	Click Button	36-60
16	Lower Bridge Screw	16-60		Spacer Bar	37A-500
17	Upper Bridge Screw	17-60		Spacer Bar	*37A-506
18	Clutch Spring	18-60	38	Right Side Post Screw	38-7
19	Eccentric	19-250	39	Left Side Post Screw	39-5
20	Eccentric Spring	20-60	40	Left Side Bearing	40-60
21	Eccentric Lever	21-66	41	Bearing Spring	41-60
22	Eccentric Screw	22-99	42	Take Apart Thumb Screw	TA-200
23	Handle Screw	23-60	62	Click Spring	62M-309
23A	Handle Lock Screw	110-60	63	Click Spring Screw	31-2.5FR
24	Handle (500)	24-66	98	Gear Sleeve	98-505
	Handle (501)	24-155	149	Clamp Nut	149-45

\*Not Shown