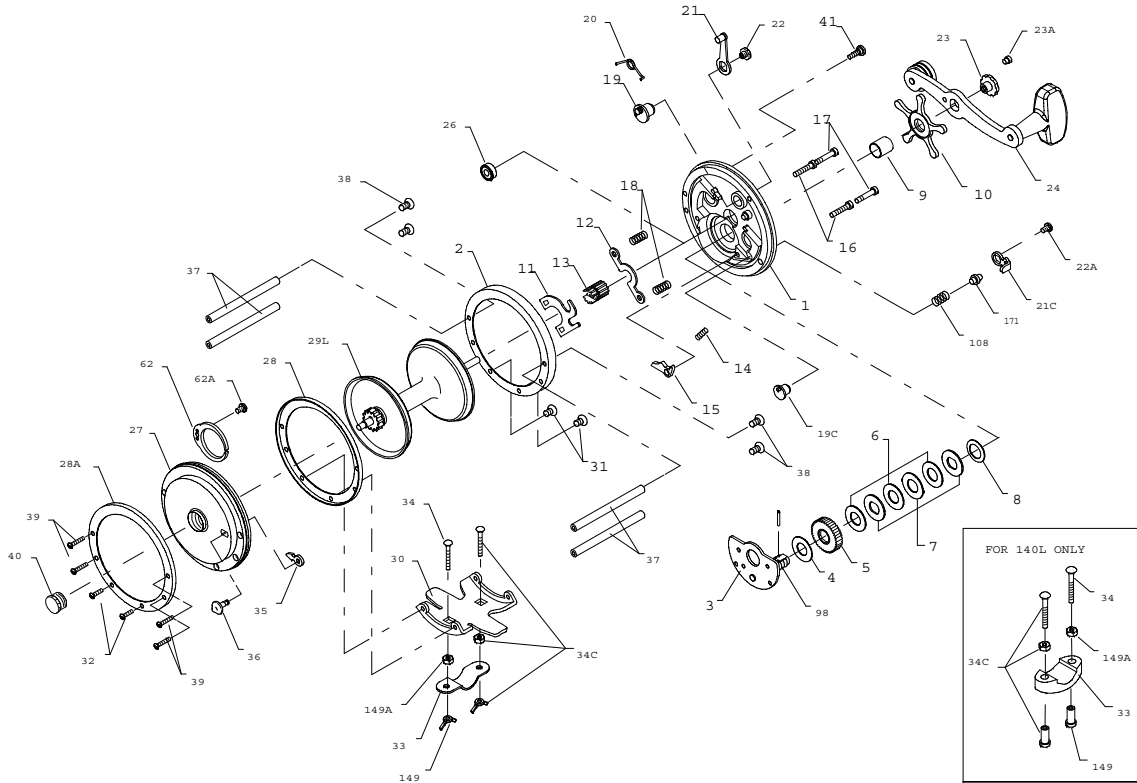




PARTS LIST FOR MODELS 140L AND 146L



KEY NO.	PART NO.	DESCRIPTION
12	012 155	Pinion Yoke
13	013 140	Pinion
14	014C140	Dog Spring
15	015 140	Dog
16	016 060CH	Lower Bridge Screw
17	017 060CH	Upper Bridge Screw
18	018 060	Clutch Spring (2 req.)
19	019 200	Eccentric
19C	019 140S	Eccentric
20	020 155	Eccentric Spring
21	021 200	Eccentric Lever
21C	021 140S	Eccentric Lever
22	022 099	Eccentric Screw
22A	022 109	Eccentric Screw
23	023 060	Handle Screw
23A	110 060	Handle Lock Screw
24	024 155	Handle
26	026 140	R.S. Bearing
27	027 140	Left Side Plate
28	028 140O	Outer Left Side Ring
28A	002 155	Inner Left Side Ring
29L	029L 140	Spool
29L	029L 146	Spool
30	030 200	Stand (140)
30	030 049	Stand (146)
31	031 019	Stand Screw (R.S.)
32	032 018	Stand Screw (L.S.)
33	033 113	Rod Clamp (140)
33	033 049	Rod Clamp (146)
33	*033R200	Ringed Rod clamp (140) Optional
34	034 045	Clamp Screw (140) (2 req.)
34	034 049	Clamp Screw (146) (2 req.)
34C	034C045	Rod Clamp Screw w/Nuts (140)
34C	034C049	Rod Clamp Screw w/Nuts 9146)
35	035 155	Click Tongue
36	036 155CH	Click Button
37	037 067	Frame Post (140)
37	037 180	Frame Post (146)
38	038 007	R.S. Post Screw
39	039 009	L.S. Post Screw
40	040 140	L.S. Bearing
41	129 200	Take Apart Thumb Screw
62	062 309	Click Spring
62A	063 209	Click Spring Screw
98	098 155	Gear Sleeve
108	108 140	Lever Spring
149	149 045	Clamp Nut (140) (2 req.)
149	152 200	Wing Nut (146) (2 req.)
149A	149 200	Hex Nut (2 req.)
171	171 140	Eccentric Plunger

KEY NO.	PART NO.	DESCRIPTION
1	001 140	Right Side Plate
1	001 146	Right Side Plate
2	002 200	R.S. Ring
3	003 200	Bridge w/Sleeve
4	004 155	Fiber Washer
5	005 060	Main Gear
6	006 060	Drag Washer (3 req.)
7	007C060	Metal Washer Set
8	008 060	Tension Spring
9	009 060	Spacing Sleeve
10	010 140	Star Drag Wheel
11	011 155	Eccentric Jack