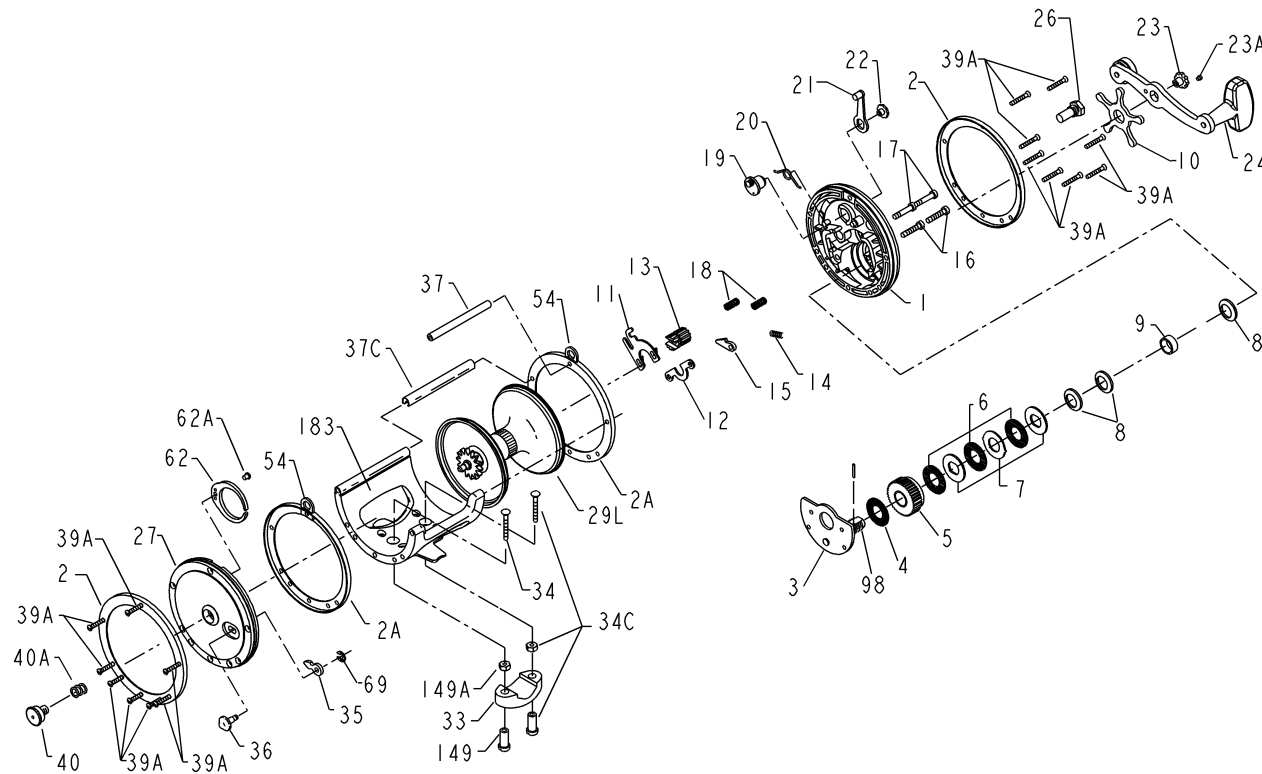




PARTS LIST FOR MODEL 113



KEY

NO.	DESCRIPTION	PART NUMBER
1	Right Side Plate	001 113
2	Outer Ring (2 req.)	002 113O
2A	Inner Ring (2 req.)	002 113I
3	Bridge w/Sleeve	003 113
4	Fiber Washer	004 060
5	Main Gear	005 066
6	Drag Washer (3 req.)	006 113
7	Metal Drag Washer Set	007C060
8	Tension Spring (3 req.)	008 060
9	Spacing Sleeve	009 066
10	Star Drag Wheel	010 066
11	Eccentric Jack	011 113
12	Pinion Yoke	012 113
13	Pinion	013 113
14	Dog Spring	014 099
15	Dog	015 099
16	Lower Bridge Screw (2 req.)	016 060CH
17	Upper Bridge Screw (2 req.)	017 060CH
18	Clutch Spring (2 req.)	018 060
19	Eccentric	019 113
20	Eccentric Spring	020 155
21	Eccentric Lever	021 066
22	Eccentric Screw	022 099
23	Handle Screw	023 060
23A	Handle Lock Screw	110 060
24	Handle	024 066
26	R.S. Bearing	026 060
27	Left Side Plate	027 113
29L	Spool	029L113
33	Rod Clamp	033 113
34	Clamp Screw (2 req.)	034 045
34C	Rod Clamp Screw w/Nuts	034C045
35	Click Tongue	035 060
36	Click Button	036 113
37	Frame Post	037 113
37C	Frame Post Cover	050 113HL
39A	Frame Post Screw (16 req.)	039 009
40	L.S. Bearing	040 060
40A	L.S. Bearing Spring	041 060
54	Harness Lug (2 req.)	054 113
62	Click Spring	062 309
62A	Click Spring Screw	063 209
69	Retaining Ring	069B600
98	Gear Sleeve	098 060
149	Rod Clamp Nut (2 req.)	149 045
149A	Hex Nut (2 req.)	149 200
183	Frame w/Stand	183 113