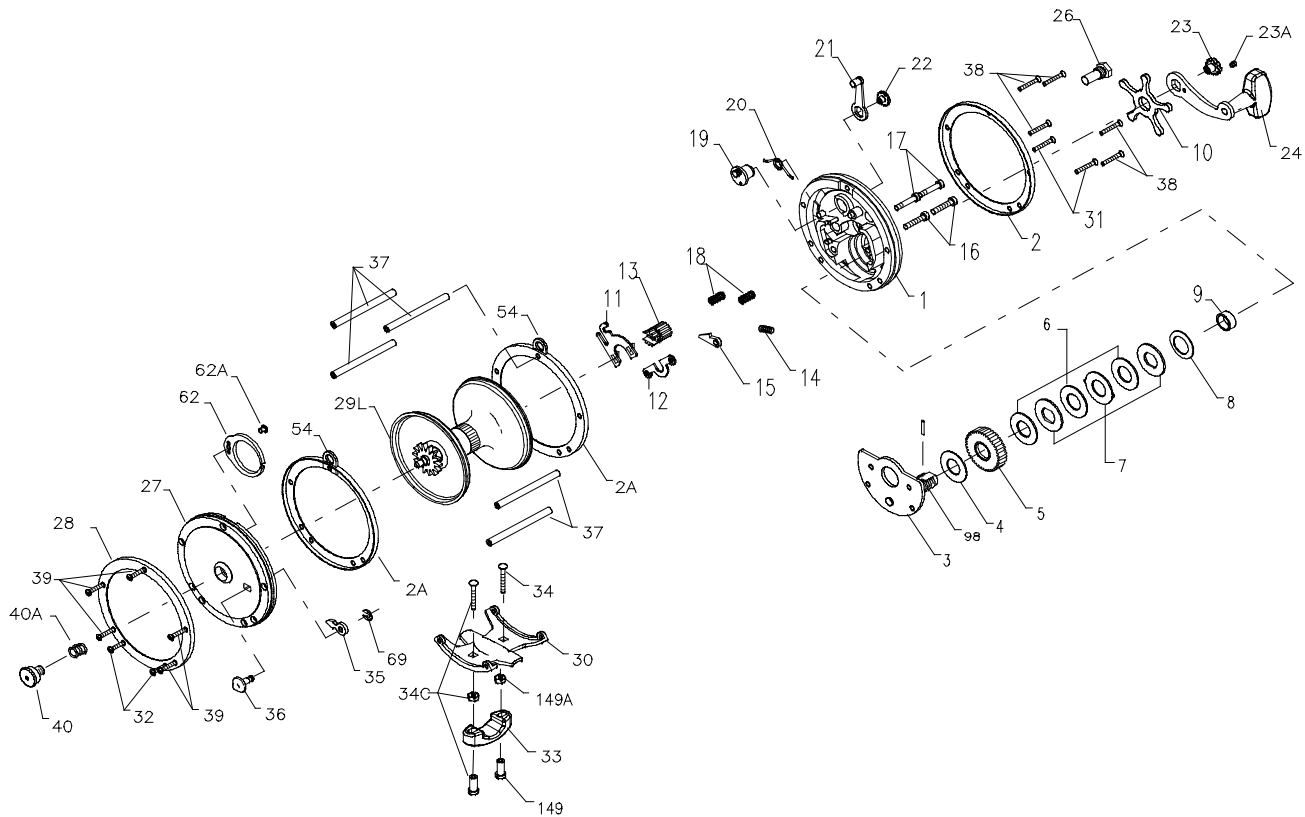




PARTS LIST FOR MODEL 112H



KEY

NO.	DESCRIPTION	
1	Right Side Plate	001 112H
2	Outer Right Side Ring	002 112HO
2A	Inner Ring (2 req.)	002 112HI
3	Bridge w/Sleeve	003 112H
4	Fiber Washer	004 060
5	Main Gear	005 500
6	Drag Washer (3 req.)	006 309
7	Metal Drag Washer Set (3 req.)	007C500
8	Tension Spring	008 060
9	Spacing Sleeve	009 060
10	Star Drag Wheel	010 060
11	Eccentric Jack	011 099
12	Pinion Yoke	012 500
13	Pinion	013 500
14	Dog Spring	014 099
15	Dog	015 309
16	Lower Bridge Screw (2 req.)	016 060CH
17	Upper Bridge Screw (2 req.)	017 060CH
18	Clutch Spring (2 req.)	018 060
19	Eccentric	019 250
20	Eccentric Spring	020 060L
21	Eccentric Lever	021 049
22	Eccentric Screw	022 099
23	Handle Screw	023 060
23A	Handle Lock Screw	110 060
24	Handle	024 112H
26	R.S. Bearing	026 155
27	Left Side Plate	027 112H
28	Outer Left Side Ring	028 112HO
29	Spool	029L112H
30	Stand	030 066
31	R.S. Stand Screw (2 req.)	039 003
32	L.S. Stand Screw (2 req.)	032 017
33	Rod Clamp	033 113
*	Ringed Rod Clamp (Optional)	* 033R200
34	Clamp Screw (2 req.)	034 045
34C	Rod Clamp Screw w/Nuts	034C045
35	Click Tongue	035 060
36	Click Button	036N209
37	Frame Post (5 req.)	037 065
38	R.S. Screw (5 req.)	039 009
39	L.S. Screw (5 req.)	039 003
40	L.S. Bearing	040 060
41	L.S. Bearing Spring	041 060
54	Harness Lug (2 Req)	054 113
62	Click Spring	062 309
62A	Click Spring Screw	063 209
69	Retaining Ring	069B600
98	Gear Sleeve	098 060
149	Rod Clamp Nut (2 req.)	149 045
149A	Hex Nut (2 req.)	149 200