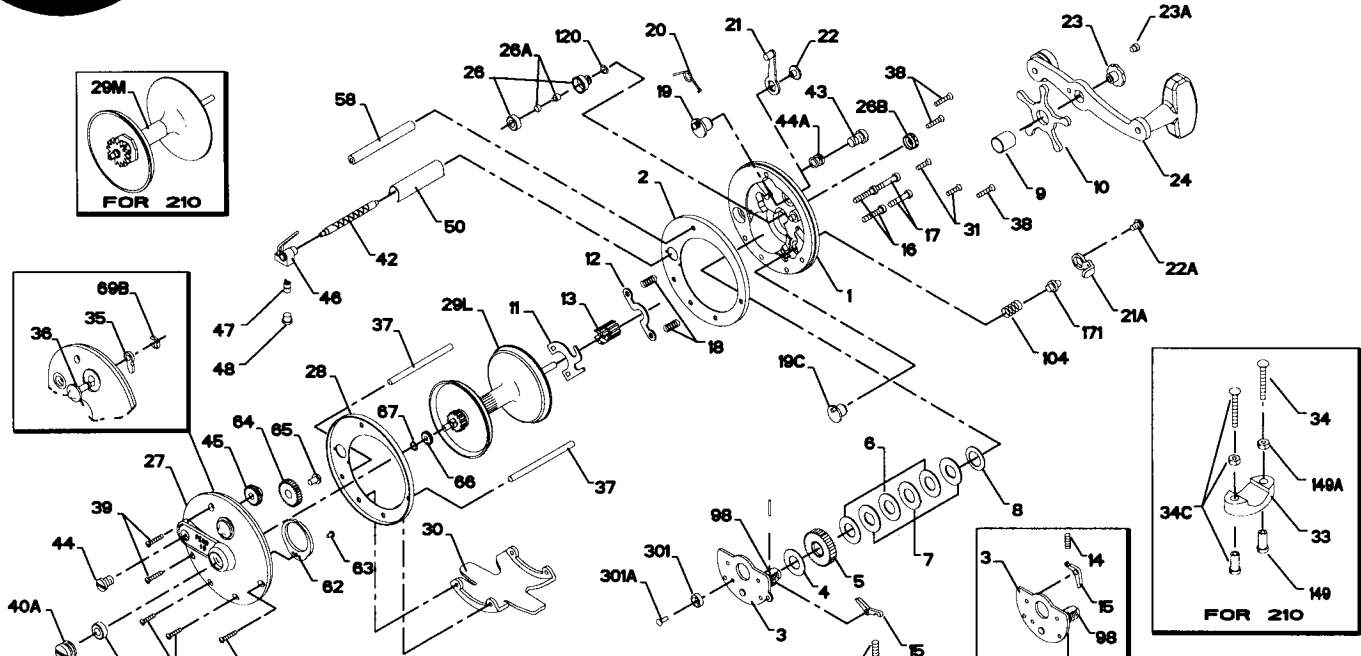




# PARTS LIST FOR MODELS 10 AND 210



| KEY NO. | DESCRIPTION                       | PART NO. | KEY NO. | DESCRIPTION                       | PART NO. |
|---------|-----------------------------------|----------|---------|-----------------------------------|----------|
| 1       | R.S. Plate                        | 1-10     | 29M     | Spool Metal                       | 29M-210  |
| 2       | R.S. Plate                        | 1-210    | 30      | Stand                             | 30-10    |
| 3       | R.S. Ring                         | 2-10     | 31      | Stand (210)                       | 30-66    |
| 4       | Bridge w/Sleeve                   | 2-210    | 32      | R.S. Stand Screw (2 req.)         | 31-10    |
| 5       | Bridge w/Sleeve                   | 3-10     | 33      | R.S. Stand Screw (2 req.)         | 31-210   |
| 6       | Fiber Washer (10)                 | 3-210    | 34      | L.S. Stand Screw (10) (2 req.)    | 32-2     |
| 7       | Fiber Washer (210)                | 4-155    | 35      | L.S. Stand Screw (210) (2 req.)   | 32-22    |
| 8       | Main Gear                         | 4-60     | 36      | Rod Clamp (210)                   | 33-113   |
| 9       | Main Gear (210)                   | 5-10     | 33R     | Ringed Rod Clamp (Optional) (210) | *33R-200 |
| 10      | Drag Washer (10)                  | 5-500    | 34      | Rod Clamp Screw (210)             | 34-45    |
| 11      | Drag Washer (210)                 | 6-60     | 34C     | Rod Clamp Screw w/Nuts            | 34C-45   |
| 12      | Drag Washer Metal (Set) (10)      | 6-309    | 35      | Click Tongue                      | 35-155   |
| 13      | Drag Washer Metal (Set) (210)     | 7C-60    | 36      | Click Button (10)                 | 36-60    |
| 14      | Tension Spring                    | 7C-500   | 37      | Click Button (210)                | 36N-209  |
| 15      | Spacing Sleeve                    | 8-60     | 37-10   | Frame Post (10) (2 req.)          | 37-10    |
| 16      | Star Drag (10)                    | 9-60     | 38      | Frame Post (210) (2 req.)         | 37-160   |
| 17      | Star Drag (210)                   | 10-60    | 39      | R.S. Post Screw (3 req.)          | 38-10    |
| 18      | Eccentric Jack (10)               | 10-505   | 40      | R.S. Post Screw (210)             | 39-6     |
| 19      | Eccentric Jack (210)              | 11-9     | 40A     | L.S. Post Screw (10) (3 req.)     | 39-1     |
| 20      | Pinion Yoke (10)                  | 11-155   | 41      | L.S. Post Screw (210)             | 38-8     |
| 21      | Pinion Yoke (210)                 | 12-9     | 42      | L.S. Bearing                      | 40-10    |
| 22      | Pinion Gear (10)                  | 12-155   | 40A-210 | L.S. Bearing Cap w/Bearing (210)  | 40A-210  |
| 23      | Pinion Gear (210)                 | 13-10    | 42      | Worm (10)                         | 42-109   |
| 24      | Dog Spring (210)                  | 13-140   | 43      | Worm (210)                        | 42-209   |
| 25      | Dog Spring                        | 14-500   | 44      | R.S. Worm Bearing (10)            | 43-9     |
| 26      | Dog                               | 14-10    | 45      | R.S. Worm Bearing (210)           | 44N-109  |
| 27      | Dog                               | 15-10    | 46      | L.S. Worm Bearing (10)            | 43-109   |
| 28      | Lower Bridge Screw (10) (2 req.)  | 15-210   | 47      | L.S. Worm Bearing (210)           | 43-109   |
| 29      | Lower Bridge Screw (210) (2 req.) | 16-9     | 48      | R.S. Worm Bearing Spring (210)    | 43-109   |
| 30      | Upper Bridge Screw (9)            | 16-60    | 49      | Worm Gear (10)                    | 45-9     |
| 31      | Upper Bridge Screw (210) (2 req.) | 17-9     | 50      | Worm Gear (210)                   | 45-209   |
| 32      | Clutch Spring (10)                | 17-60    | 51      | Line Guide (10)                   | 46-9     |
| 33      | Clutch Spring (210)               | 18-9     | 52      | Line Guide (210)                  | 46-209   |
| 34      | Eccentric (10)                    | 18-60    | 53      | Pawl                              | 47-109   |
| 35      | Eccentric (210)                   | 19-9     | 54      | Pawl Cover                        | 48-109   |
| 36      | Direct Drive Eccentric (10)       | 19-209   | 55      | Worm Shield (10)                  | 50-109   |
| 37      | Eccentric Spring (10)             | 19-10    | 56      | Worm Shield (210)                 | 50-209   |
| 38      | Eccentric Spring (210)            | 20-109   | 57      | Spool Bearing (10 & 210)          | 55-113H  |
| 39      | Eccentric Lever (10)              | 20-155   | 58      | Slotted Post (10)                 | 58-109   |
| 40      | Eccentric Lever (210)             | 21-109   | 59      | Slotted Post (210)                | 58-209   |
| 41      | Direct Drive Lever (10)           | 21-285   | 60      | Click Spring                      | 62M-209  |
| 42      | Eccentric Screw (10)              | 21-10    | 61      | Click Spring Screw                | 63-2.5FR |
| 43      | Eccentric Screw (210)             | 22-109   | 62      | Idler Gear (10)                   | 64-9     |
| 44      | Direct Drive Lever Screw (10)     | 22-60    | 63      | Idler Gear (210)                  | 64-209   |
| 45      | Handle Screw                      | 22-109   | 64      | Idler Gear Screw                  | 65-209   |
| 46      | Handle Lock Screw                 | 23-60    | 65      | Level Wind Drive Gear (10)        | 66-9     |
| 47      | Handle (10)                       | 110-60   | 66      | Level Wind Drive Gear (210)       | 66-209   |
| 48      | Handle (210)                      | 24-155   | 67      | Drive Gear Lock Spring (10)       | 67-9     |
| 49      | R.S. Bearing (10)                 | 24-66    | 68      | Drive Gear Lock Spring (210)      | 67-209   |
| 50      | R.S. Bearing (210)                | 26-10    | 69      | Click Button Retaining Spring     | 69B-600  |
| 51      | Pressure Plug (10)                | 26-113H  | 70      | Gear Sleeve (10)                  | 98-155   |
| 52      | R.S. Bearing Cap (10)             | 40A-910  | 71      | Gear Sleeve (210)                 | 98-505   |
| 53      | L.S. Plate Assembly               | 26B-910  | 72      | Direct Drive Spring (10)          | 104-10   |
| 54      | L.S. Plate Assembly               | 27-10    | 73      | "O" Ring (10)                     | 120-910  |
| 55      | L.S. Ring                         | 27-210   | 74      | Clamp Nut                         | 149-45   |
| 56      | L.S. Ring                         | 28-10    | 75      | Hex Nut                           | 149-200  |
| 57      | L.S. Ring                         | 28-209   | 76      | Direct Drive Plunger (10)         | 171-140  |
| 58      | Spool (Aluminum)                  | 29L-10   | 77      | Magnet (10)                       | 301-10   |
| 59      | Spool (Aluminum)                  | 29L-210  | 78      | Magnet Stud (10)                  | 301A-10  |

\*Not Shown