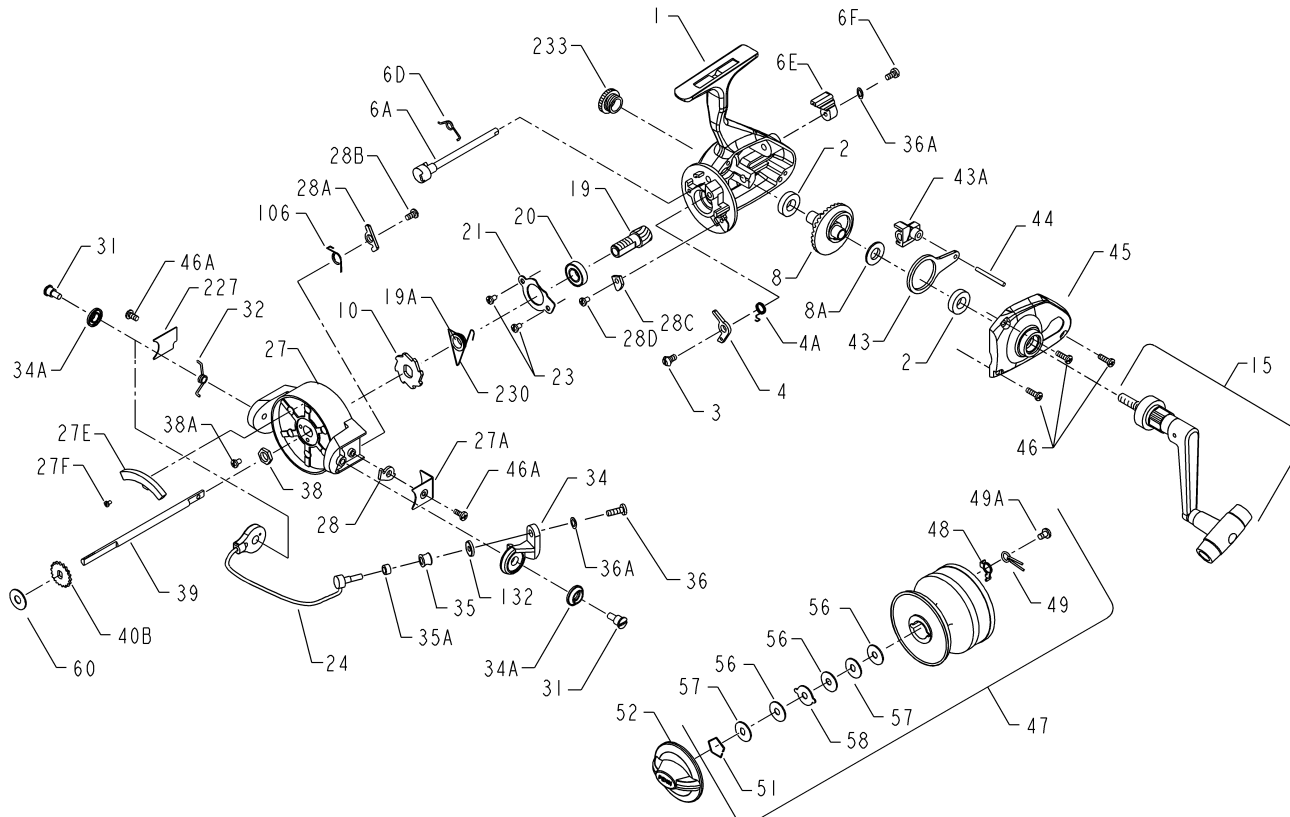


PENN® PARTS LIST FOR MODEL 103CS



KEY NO.	PART NO.	DESCRIPTION
1	001 103CS	Housing w/Bushing & Emblem
2	002 103	Housing Bushing (2 req.)
3	003 103	Dog Mounting Screw
4	004 103C	Dog
4A	004A103CS	Dog Spring
6A	006A103CS	Eccentric
6D	006D103	Eccentric Spring
6E	006E103	Eccentric Lever
6F	006F101	Eccentric Lever Mounting Screw

KEY NO.	PART NO.	DESCRIPTION
8	008 103C	Main Gear Assembly
8A	008A103	Main Gear Shim
10	010 103C	Anti-Reverse Ratchet
15	015 103CS	Handle (Complete)
19	019 103C	Pinion Gear
19A	019A103C	Pinion Gear Spacer
20	020 103	Ball Bearing
21	021 103C	Bearing Cover
23	023 103	Bearing Cover Screw (2 req.)
24	024 103CS	Bail Wire
27	027 103CS	Rotor Cup
27A	027A103	Rotor End Cover
27E	027E103CS	Balance Weight
27F	027F103CS	Balance Weight Screw
28	028 103	Trip Lever
28A	028A103	Cam Lever
28B	028B103	Cam Lever Mounting Screw
28C	028C103	Trip Cam
28D	046A103	Cam Mount Screw
31	031 103	Bail Arm Screw (2 req.)
32	032 103	Bail Spring
34	034 103CS	Bail Arm
34A	034A103	Bail Arm Spacer (2 req.)
35	035 103CS	Line Roller
35A	035A103CS	Line Roller Bushing
36	036 103CS	Bail Stud Screw
36A	036A103	Lock Washer (2 req.)
38	038 103	Rotor Nut
38A	038A103CS	Rotor Nut Screw
39	039 103C	Crosswind Shaft
40B	040B103	Click Ratchet
43	043 103	Crosswind Arm
43A	043A103CS	Crosswind Block
44	044 103C	Crosswind Arm Pin
45	045 103CS	Housing Cover w/Bushing
46	046 103	Housing Cover Screw (3 req.)
46A	046A103	Rotor End Cover Screw (2 req.)
47	047 103CS	Spool (Complete)
48	048 103CS	Click Tongue
49	049 103CS	Click Spring
49A	022 103CS	Click Spring Screw
51	051 103	Retaining Ring
52	052 103CS	Drag Knob
56	056T103	Drag Washer (Teflon) (3 req.)
57	057 103	Drag Washer (Keyed) (2 req.)
58	058 103	Drag Washer (Ear)
60	060 103	Thrust Washer (Teflon)
106	106 103	Cam Lever Spring
132	132 103CS	Roller Washer
227	227 103	Bail Spring Cover
230	230 103C	Silent Dog Spring
233	233 103	Housing Handle Cap